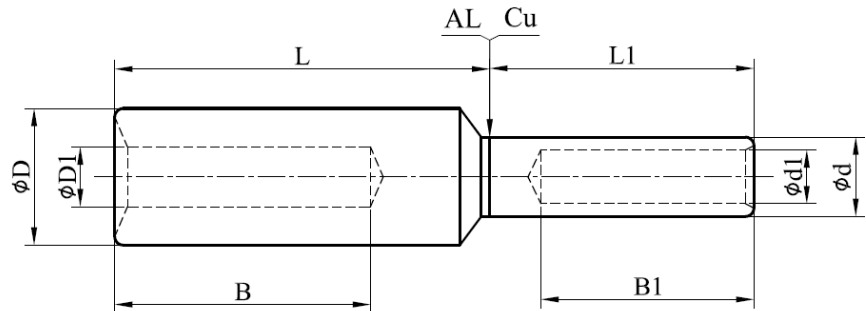


COPPER/ALUMINIUM BI-METAL LINK

Ideal for transition join between Copper and Aluminium cables of various sizes.
Made from solid Aluminium and solid Copper, friction welded.

Copper : ETP Cu 99.9%

Aluminium : Al 99.5%



Item Code	Min & Max Application Size (mm ²)	D ±0.2	D1 ±0.2	d ±0.2	d1 ±0.2	L ±0.2	L1 ±0.2	B ±0.2	B1 ±0.2
BFST-35/35	Min: 16 Al / 16 Cu Max: 35 Al / 35 Cu	16	5.6	10.8	5.6	50	20	45	16
BFST-95/70	Min: 50 Al / 16 Cu Max: 95 Al / 70 Cu	20	9	14.4	5.6	57	28	50	22
BFST-95/95	Min: 50 Al / 16 Cu Max: 95 Al / 95 Cu	20	9	17.5	5.6	57	30	50	25
BFST-150/95B	Min: 120 Al / 16 Cu Max: 150 Al / 95 Cu	25	14	17.5	5.6	65	30	57	25
BFST-240/150	Min: 120 Al / 50 Cu Max: 240 Al / 150 Cu	32	14	22	9.5	67	37	59	31
BFST-240/240	Min: 120 Al / 50 Cu Max: 240 Al / 240 Cu	32	14	27.9	9.5	67	50	59	42
BFST-300/300	Min: 185 Al / 185 Cu Max: 300 Al / 300 Cu	40	18	31.8	19	109	55	85	45
BFST-500/500	Min: 400 Al / 300 Cu Max: 630 Al / 500 Cu	47	26.7	38.6	23.3	110	63	95	55

Notes:

1. All dimensions are in mm.
2. Other specification and customization are available upon request.



CONWAY
Connecting Power

Tel : +6 03 5122 1223
Fax : +6 03 5121 1109

Email : ctm@conway.com.my
Web : www.conway.com.my