

MEDIUM VOLTAGE CABLE LUG

Use for Copper Conductor.

Crimp Type for Hexagon and Indent Die.

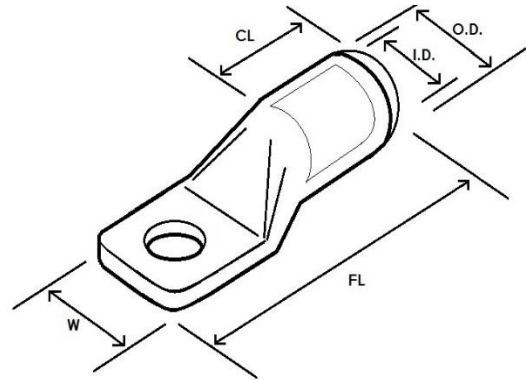
Corona relief taper end for application up to 33 kV.

High Conductivity Copper : 99% I.A.C.S

Copper Purity : 99.9%

Finishing : Tin Plated

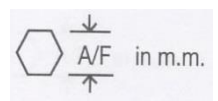
Copper tube compliant to MS1540.



Size	Stud hole	Item code	FL	CL	OD	ID	W	Crimping Tool	Hexagon Die A/F	No. Of Crimps
16mm ²	M8	CLMV-16-8	35	13	7.8	5.6	12.0	TCCP-240	6.4	1
25mm ²	M8	CLMV-25-8	48	20	9.3	7.0	13.5	TCCP-240	7.7	1
35mm ²	M10	CLMV-35-10	52	21	10.8	8.4	16	TCCP-240	8.9	1
50mm ²	M10	CLMV-50-10	55	22	12.5	9.5	18.0	TCCP-240	10.3	1
70mm ²	M12	CLMV-70-12	63	25	14.4	11.2	20.5	TCCP-240	11.9	1
95mm ²	M12	CLMV-95-12	66	25	17.5	13.5	25.0	TCCP-240	14.5	1
120mm ²	M12	CLMV-120-12	73	27	19.0	14.6	28.0	TCCP-240	15.7	2
150mm ²	M16	CLMV-150-16	78	30	21.4	16.4	31.5	TCCP-240	17.6	2
185mm ²	M16	CLMV-185-16	82	32	23.7	18.5	35.0	TCCP-240/630	19.5	2/ 1
240mm ²	M16	CLMV-240-16	115	50	27.4	21.0	40.0	TCCP-240/630	22.6	3/ 2
300mm ²	M16	CLMV-300-16	121	50	30.5	23.5	45.0	TCCP-630	25.2	2
400mm ²	M16	CLMV-400-16	139	60	34.4	26.7	50.0	TCCP-630	28.5	2
500mm ²	M20	CLMV-500-20	158	65	38.6	30.0	55.0	TCCP-630	32.1	3
630mm ²	M20	CLMV-630-20	161	65	44.7	34.5	64.0	TCCP-630	37.0	3

Notes:

- All dimensions are in mm.
- Other dimension customizations are available on request.



CONWAY
Connecting Power

Tel : +6 03 5122 1223
Fax : +6 03 5121 1109

Email : ctm@conway.com.my
Web : www.conway.com.my